

**FEATURES**

The PULSTRONIC II is a compact electropneumatic pressure regulator (E/P transducer) which converts an electrical signal into a pneumatic pressure. It is particularly suited for precise pressure regulation due to its integrated control loop with electronic pressure feedback.

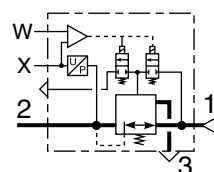
**GENERAL**

- Fluids** : Air or neutral gases, filtered at 50 µm, lubricated or unlubricated
- Connection** : G 1/4
- Pressure range** : 0-3 bar, 0-6 bar, 0-10 bar
- Temperature - Fluid** : 0 °C to +60 °C
- Ambient** : 0 °C to +50 °C
- Analog setpoint** : 0 - 10 V, 0 - 20 mA, 4 - 20 mA
- Failsafe behaviour** : Pressure held on loss of power, without control
- Hysteresis** : < 1 % of span
- Repeatability** : ± 0,5 % of span



**CONSTRUCTION**

Body: POM  
Internal parts: POM  
Seals: NBR, FPM



**ELECTRICAL CHARACTERISTICS**

voltage (residual ripple: max.10 %)	max. power (W)	max. current (mA)	insulation class	protection degree	electrical connection
24 V= +/-10%	3,6	150	F	IP 65	5-pin M12 connector (to be ordered separately)

**SPECIFICATIONS**

Ø ports	Ø orifice DN (mm)	flow	
		K <sub>v</sub> coefficient (Nm³/h)	at 6 bar (l/min - ANR)
G 1/4	4	0,25	470

**CATALOGUE NUMBER**

**6 0 5 A S O F P**

**A: CONSTRUCTION (connection)**

- E = Digital, without display
- D = Digital, with display

**S: SETPOINT**

- 0 = 0 ... 10 V
- 1 = 0 ... 20 mA
- 2 = 4 ... 20 mA

**O: OPTIONS**

- 1 = Feedback output 0 ... 10 V
- 2 = Feedback output 0 ... 20 mA
- 3 = Feedback output 4 ... 20 mA

**P: PRESSURE RANGE**

**Relative pressure:**

- 3 = 0 - 3 bar
- 6 = 0 - 6 bar
- 0 = 0 - 10 bar

**Min./Max. allowable pressure:**

- 4 - 5 bar
- 7 - 8 bar
- 11 - 12 bar

**F: FAILSAFE BEHAVIOUR**

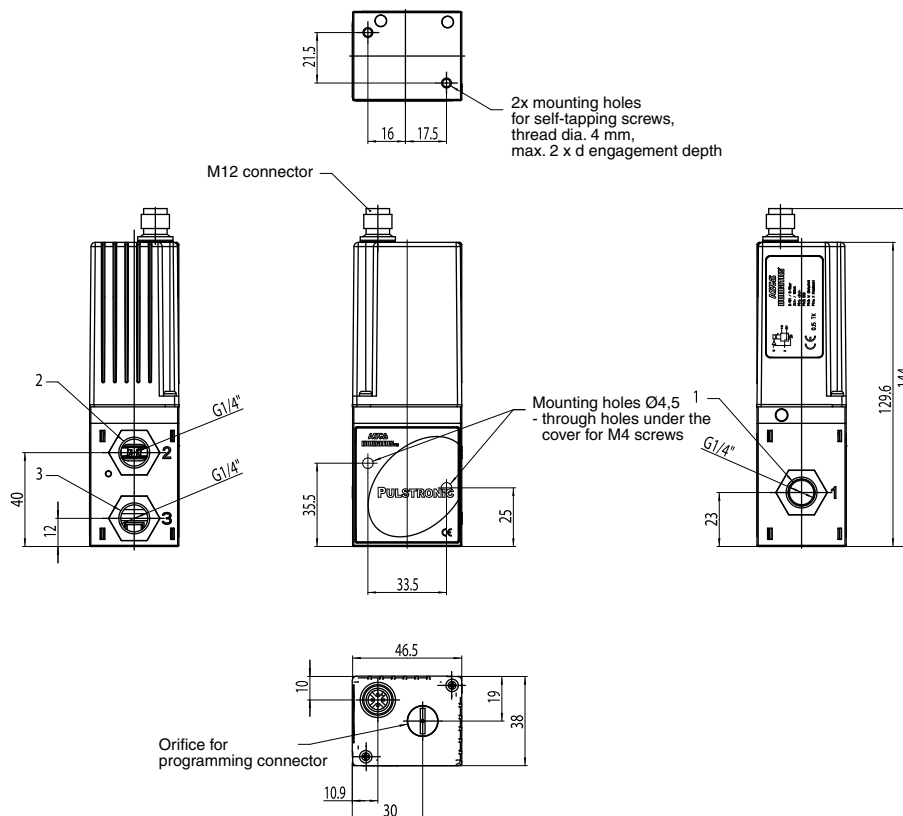
- 0 = Pressure held

00579GB - 2012/R01  
Availability, design and specifications are subject to change without notice. All rights reserved.

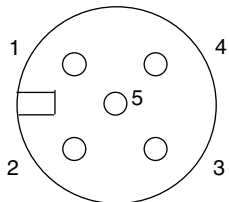
**DIMENSIONS (mm), WEIGHT (kg)**

**VERSION G 1/4**

Weight: 182 g



## CONNECTOR PINNING / CABLE WIRING



View from solder side

Pin	description	5-wire cable
1	24V voltage supply	brown
2	Analog setpoint input	white
3	Supply ground	blue
4	Analog output (feedback)	black
5	PE connection	grey
<b>Cable shield</b>	EMC shield	shield

## ACCESSORIES

description	catalogue number
Straight M12 female connector, 5 pins, with screw terminals	<b>88100256</b>
Right-angle M12 female connector, 5 pins, with screw terminals	<b>88100725</b>
Supply cable 2m; 5x0,25 mm <sup>2</sup> ; straight connector	<b>88100726</b>
Supply cable 2m; 5x0,25 mm <sup>2</sup> ; right-angle connector	<b>88100727</b>
Supply cable 5m; 6x0,50 mm <sup>2</sup> ; straight connector	<b>88100728</b>
Supply cable 5m; 6x0,50 mm <sup>2</sup> ; right-angle connector	<b>88100729</b>
Supply cable 10m; 6x0,50 mm <sup>2</sup> ; straight connector	<b>88100730</b>
Supply cable 10m; 6x0,50 mm <sup>2</sup> ; right-angle connector	<b>88100731</b>
RS 232 cable converter; 2m cable with 9-pin Sub-D (plug connector)	<b>88100732</b>
RS 232 cable converter; 2m cable with 9-pin Sub-D (screw connector)	<b>88100970</b>
DaS Light: Data Acquisition Software for Pulstronic II - basic parameters - CD-ROM	<b>99100110</b>
DaS Expert: Data Acquisition Software for Pulstronic II - full parameters - CD-ROM	<b>99100111</b>

All leaflets are available on: [www.asconumatics.eu](http://www.asconumatics.eu)