

FEATURES

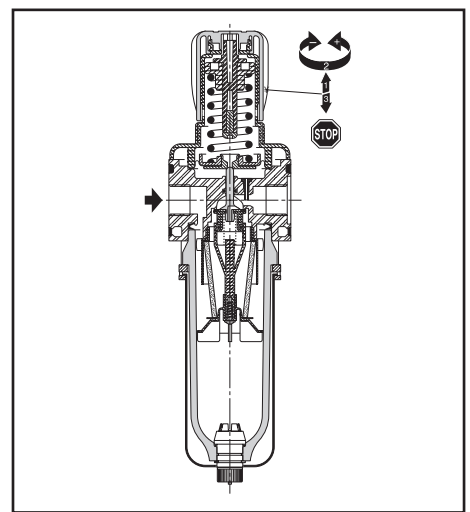
- Resistance to high temperatures (+50°C)
- Resistance to impact, UV light and solvents
- Working pressures up to 16 bar
- Bowl always locked in place during operation
- This material exists in version intended for use in potentially explosive atmospheres caused by gases or dusts - ATEX directive 94/9/EC (see ATEX option)

GENERAL

Fluid Compressed air and neutral gas
Ports G1/4-G3/8-G1/2 or NPT1/4-NPT3/8-NPT1/2
Max. inlet pressure 16 bar at 50°C
Controlled pressure 0,5 to 10 bar (other adjustment range, in option)
Filtering capacity 25 µm and 5 µm (10 and 50 µm on request)
Ambient temperature 0° to +50°C
Max. flow (Qv at 6.3 bar) See Specifications and charts
Regulator Self-relieving

CONSTRUCTION

Body Painted zamak
Metal bowl Painted aluminium bowl
Filtering element PE (polyethylene)
Seals NBR (nitrile)
Condensate drain Semi-automatic (operating pressure: min. 1.2 to 10/16 bar) or pipable automatic (operating pressure: 2 to 10 bar) or manual drain as option.
Regulating device Rolling diaphragm (very low hysteresis: 0,2 bar)
Pressure control knob Locking "pull-turn-push"



SPECIFICATIONS

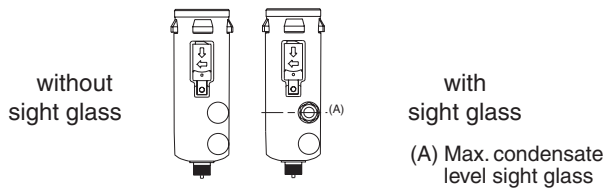
ATEX execution: See page 3

port size	MODULAIR range	bowl capacity (cm³)	filtering capacity (µm)	controlled pressure (bar)	maximum flow at 6,3 bar pressure setpoint and ΔP of 1 bar/setpoint		basic catalogue number				
							FILTER/REGULATOR				
							semi-automatic drain		automatic drain		
gauge dia.	WITH 0-12 bar gauge	WITHOUT gauge	WITH 0-12 bar gauge	WITHOUT gauge							
25 µm filtration- 0,5 - 10 bar adjustment - polycarbonate bowl WITH protector ⁽¹⁾											
G1/4	112	114	25	0,5-10	1800	30	50	34203086	34203080	34203135	34203129
G3/8	112	114	25	0,5-10	3000	50	50	34203087	34203081	34203136	34203130
G1/2	112	114	25	0,5-10	3900	65	50	34203088	34203082	34203137	34203131
5 µm filtration- 0,5 - 10 bar adjustment - polycarbonate bowl WITH protector ⁽¹⁾											
G1/4	112	114	5	0,5-10	1500	25	50	34203098	34203092	34203147	34203141
G3/8	112	114	5	0,5-10	2500	42	50	34203099	34203093	34203148	34203142
G1/2	112	114	5	0,5-10	2500	42	50	34203100	34203094	34203149	34203143
25 µm filtration- 0,5 - 10 bar adjustment - polycarbonate bowl WITHOUT protector ⁽²⁾											
G1/4	112	114	25	0,5-10	1800	30	50	34203372	34203340	34203378	34203375
G3/8	112	114	25	0,5-10	3000	50	50	34203373	34203341	34203379	34203376
G1/2	112	114	25	0,5-10	3900	65	50	34203374	34203342	34203380	34203377
25 µm filtration- 0,5 - 10 bar adjustment - polycarbonate bowl WITH protector ⁽¹⁾											
NPT1/4	112	114	25	0,5-10	1800	30	50	34203089	34203083	34203138	34203132
NPT3/8	112	114	25	0,5-10	3000	50	50	34203090	34203084	34203139	34203133
NPT1/2	112	114	25	0,5-10	3900	65	50	34203091	34203085	34203140	34203134
5 µm filtration- 0,5 - 10 bar adjustment - polycarbonate bowl WITH protector ⁽¹⁾											
NPT1/4	112	114	5	0,5-10	1500	25	50	34203101	34203095	34203150	34203144
NPT3/8	112	114	5	0,5-10	2500	42	50	34203102	34203096	34203151	34203145
NPT1/2	112	114	5	0,5-10	2500	42	50	34203103	34203097	34203152	34203146
25 µm filtration- 0,5 - 10 bar adjustment - polycarbonate bowl WITHOUT protector ⁽²⁾											
NPT1/4	112	114	25	0,5-10	1800	30	50	34203465	34203343	34203462	34203459
NPT3/8	112	114	25	0,5-10	3000	50	50	34203466	34203344	34203463	34203460
NPT1/2	112	114	25	0,5-10	3900	65	50	34203467	34203345	34203464	34203461

⁽¹⁾ ATEX 94/9/EC: Usable for explosion group ≤ IIC (zone 1-21), see additional options

⁽²⁾ ATEX 94/9/EC: Usable for explosion group ≤ IIB (zone 1-21), see additional options

SPECIFICATIONS METAL BOWL (1)



ATEX execution: See page 3

MODULAIR range	port size	bowl capacity (cm ³)	filtering capacity (µm)	controlled pressure (bar)	maximum flow (at 6.3 bar pressure setpoint and ΔP of 1 bar / setpoint)		basic catalogue number				
							FILTER/REGULATOR				
							Semi-automatic drain			Automatic drain	
gauge dia.	WITH 0-12 bar gauge	WITHOUT gauge	WITH 0-12 bar gauge	WITHOUT gauge							
Metal bowl WITHOUT sight glass - 25 µm filtration - adjustment 0,5 - 10 bar (1)											
112	G1/4	114	25	0,5-10	1800	30	50	34203176	34203170	option : 662539 (3)	
	G3/8	114	25	0,5-10	3000	50	50	34203177	34203171		
	G1/2	114	25	0,5-10	3900	65	50	34203178	34203172		
Metal bowl WITH sight glass - 25 µm filtration - adjustment 0,5 - 10 bar (1)											
112	G1/4	114	25	0,5-10	1800	30	50	34203906	34203903	option : 662539 (3)	
	G3/8	114	25	0,5-10	3000	50	50	34203907	34203904		
	G1/2	114	25	0,5-10	3900	65	50	34203908	34203905		
Metal bowl WITHOUT sight glass - 5 µm filtration - adjustment 0,5 - 10 bar (1)											
112	G1/4	114	5	0,5-10	1500	25	50	34203188	34203182	option : 662539 (3)	
	G3/8	114	5	0,5-10	2500	42	50	34203189	34203183		
	G1/2	114	5	0,5-10	2500	42	50	34203190	34203184		
Metal bowl WITH sight glass - 5 µm filtration - adjustment 0,5 - 10 bar (1)											
112	G1/4	114	5	0,5-10	1500	25	50	34203891	34203888	option : 662539 (3)	
	G3/8	114	5	0,5-10	2500	42	50	34203892	34203889		
	G1/2	114	5	0,5-10	2500	42	50	34203893	34203890		
Metal bowl WITHOUT sight glass - 25 µm filtration - adjustment 0,5 - 10 bar (1)											
112	NPT1/4	114	25	0,5-10	1800	30	50	34203179	34203173	option : 662539 (3)	
	NPT3/8	114	25	0,5-10	3000	50	50	34203180	34203174		
	NPT1/2	114	25	0,5-10	3900	65	50	34203181	34203175		
Metal bowl WITHOUT sight glass - 5 µm filtration - adjustment 0,5 - 10 bar (1)											
112	NPT1/4	114	5	0,5-10	1500	25	50	34203191	34203185	option : 662539 (3)	
	NPT3/8	114	5	0,5-10	2500	42	50	34203192	34203186		
	NPT1/2	114	5	0,5-10	2500	42	50	34203193	34203187		

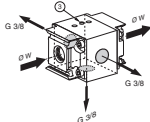
(1) ATEX 94/9/EC: Suitable for explosion group ≤ IIC (zone 1-21)

(2) ATEX 94/9/EC: Suitable for explosion group ≤ IIB (zone 1-21)

(3) Version with automatic drain: add option code of standard version with semi-automatic drain, e.g. 34203908 + 662539

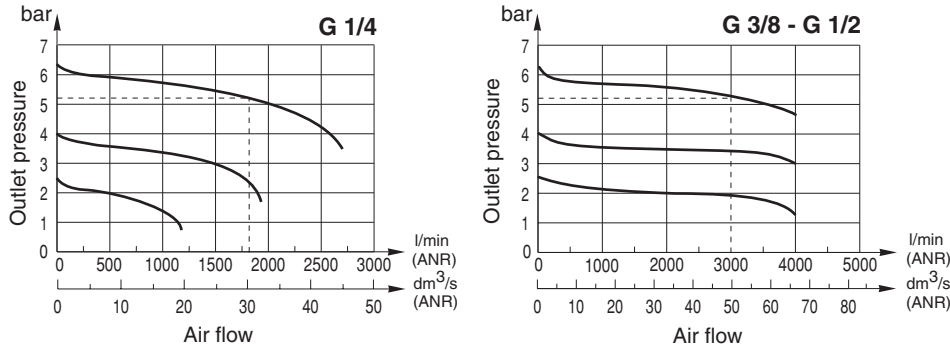
ACCESSORIES

DESCRIPTION	CODE
Two-part assembly kit	34303001
Upper mounting ring	34300004
Upper mounting bracket	34300017
Side mounting brackets	34303003
50 mm dia. pressure gauge (0-12 bar)	34200062
By-pass module (4)	
	G1/4 34303004
	G3/8 34303005
	G1/2 34303006
	NPT1/4 34303026
	NPT3/8 34303027
	NPT1/2 34303028



(4) For installation, it is also necessary to provide for a two-part assembly kit, code: 34303001 (Modulair 112 range)

PRESSURE LOSS VERSUS AIR FLOW CURVES



ADDITIONAL OPTIONS

- Other pipe threads are available on request
- Metal bowl equipped with semi-automatic, automatic or manual drain
- Polyamide bowl with protector, for use in solvent-laden environments
- Manual drain on metal bowl **WITHOUT** sight glass: add option code **662563** to code of standard version with semi-automatic drain, e.g. 34203178 + 662563
- Manual drain on metal bowl **WITH** sight glass: complete code (contact us)
- Filtering capacity: 10 µm, code **662535** / 50 µm, code **662536**
- Key locking device for adjustment knob, attached to knob, supplied on regulator, code: **662554**
- Adjustment range: 0.2 to 3 bar, (provide 40/50 mm dia., 0 - 4 bar pressure gauge)
- Adjustment range: 0.5 to 12 bar, (provide 50 mm dia., 0 - 16 bar pressure gauge)
- Equipment for use in potentially explosive atmospheres caused by dusts or gases (ATEX Directive 94/9/EC)

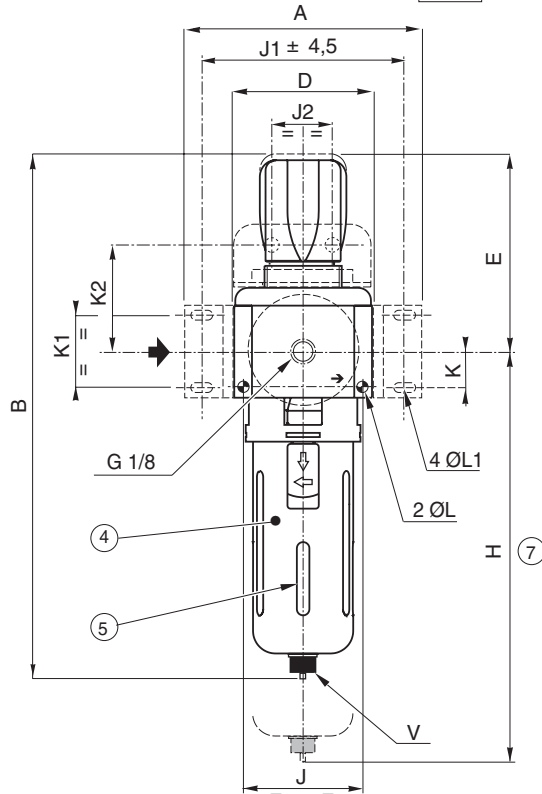
zones	ex classification	gas group	ATEX option code
2-22	II 3GD c T 85°C (T6)	IIA-IIB-IIC	612021 (with or without bowl protector)
1-21	II 2GD c IIB T 85°C (T6)	IIB	612023 (without bowl protector)
1-21	II 2GD c IIC T 85°C (T6)	IIC	612062 (with bowl protector)



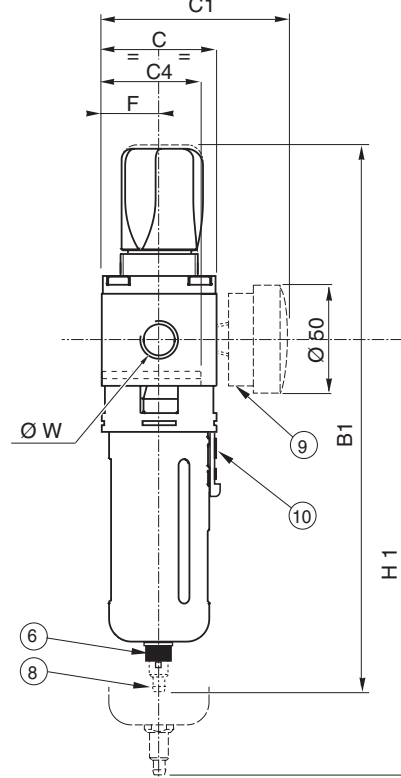
INSTALLATION

- Installation/maintenance instructions are included with each filter/regulator
- Filter/regulator must be installed with the bowl in vertical position
- Air flow direction indicated by arrow
- With a 5 µm filtering element, max. flow is reduced by approx. 15%
- Use an alkaline solution (soapy water) and not a solvent to clean the polycarbonate bowls and sight glasses
- Pipe connection has standard thread according to G (ISO 228/1) or NPT (ANSI 1.20.3)

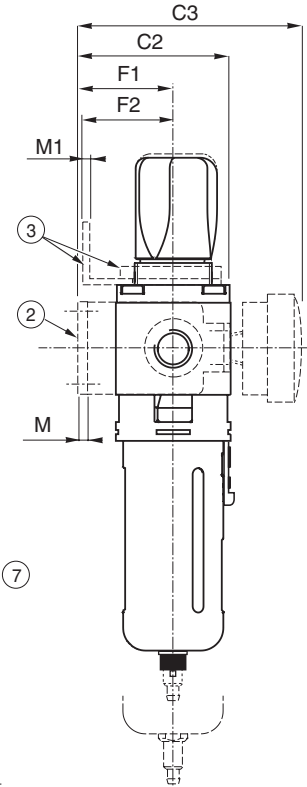
DIMENSIONS (mm), WEIGHT (kg)



Direct frontal mounting ①



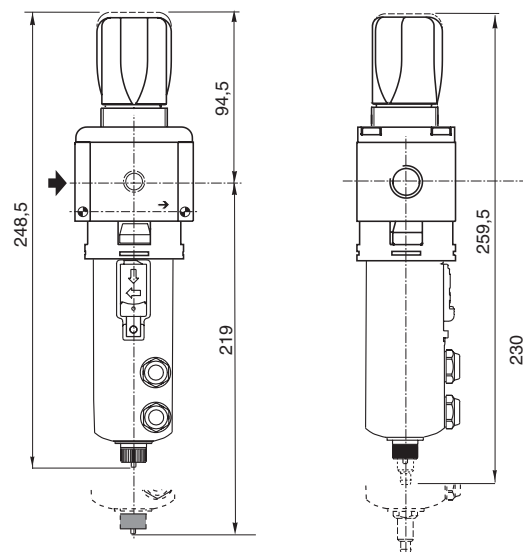
Mounting with bracket(s)



range	MODULAIR
	112
Ø W	1/4 3/8 1/2
bowl (cl)	12
A	112
B	251
B1	262
C	55
C1	87
C2	73,5
C3	105
C4	47,5
D	66
E	94,5
F	27,5
F1	46
F2	42
H	221,5
H1	232,5
J	57
J1	96
J2	29
K	17
K1	33,5
K2	42,5
ØL	5,5
ØL1	5,5
M	4
M1	2
V	G1/8
Weight (kg)	0,830 ⁽¹⁾ 0,910 ⁽²⁾

- ① Direct frontal mounting: 2 holes of dia. L and depth C4
- ② Mounting with 2 side brackets (accessory)
- ③ Mounting with top bracket and mounting ring (accessory)
- ④ Metal bowl protector with transparent polycarbonate bowl
- ⑤ Condensate level window
- ⑥ G 1/8 connectable semi-automatic drain
- ⑦ Clearance necessary for bowl removal
- ⑧ Automatic drain with fitting for connection of 6 mm ID hose
- ⑨ 50 mm dia. pressure gauge
- ⑩ Protector unlocking button

FILTER/REGULATOR WITH METAL BOWL



Other dimensions identical to version with bowl protector

⁽¹⁾ weight without pressure gauge
⁽²⁾ weight with automatic drain