

SPECIFICATIONS

FLUID	: air or neutral gas, filtered, lubricated or not
PRESSURE	: 0 to 12 bar (0 - 16 bar on request)
MAX. ALLOWABLE PRESSURE (MAP)	: 16 bar
TEMPERATURE FLUID min.-max.	: -10°C, +60°C
AMBIENT min.-max.	: -10°C, +60°C
FLOW (Qv at 6 bar)	: see table below
SUBBASE (NC function)	: CNOMO 06.05.80 - AFNOR NFE 49066
(NO and U functions)	: AFNOR NFE 49067
RESPONSE TIME	: 7 ms

CONSTRUCTION

Body : glass-filled polyarylamide (PAM + FG)
Internal parts : stainless steel and thermoplastic material
Sealing : nitrile (NBR) and polyurethane (PUR)
Electrical equipment complies with standard VDE 0580
Encapsulated coil and iron circuit, rotatable by 90°
Standard connector ISO 4400, rotatable by 90°
with simplified connections and direct front access (see overleaf)
Manual override: impulse-type
Subbases with instant fittings: glass-filled polyamide 6/6 (PA + FG)
Threaded subbases: die-cast zinc alloy and aluminium

**ELECTRICAL CHARACTERISTICS**

Type of coil	Voltages		Consumption		Insulation class	Protection degree	Electrical connection
	~	=	Inrush	Hold			
SIZE 30 (4W)	~	24V - 115V - 230V - 50 Hz	12 VA	6VA (4W)	F	IP 65	Connector ISO 4400 CM 10 (Pg 11P) with simplified connection
	=	24V	5 W				

CHOICE OF EQUIPMENT

FUNCTION NC De-energized Solenoid valve normally closed at rest										1 = Pressure 2 = Outlet 3 = Exhaust			
Orifice Ø (mm)	Flow at 6 bar l/min (SRA)		Coefficient KV	Allowable differential pressure ΔP (bar)		(M)	CODE OF SOLENOID VALVE						
	1 → 2 2 → 3	1 → 2 2 → 3		min.	max.		without connector (= / ~)	with standard connector (= / ~)	with connector with visual indicator (Led) and electrical protection (RC) 24 V = 115 V ~				
1 → 2 2 → 3	1 → 2 2 → 3	1 → 2 2 → 3	1 → 2 2 → 3	min.	max.		(= / ~)	(= / ~)	24 V = 115 V ~				
SOLENOID VALVE WITH G 1/8 EXHAUST ON FRONT SIDE													
2,1	2,3	112	154	1,6	2,2	0	12	▼	192 00 030	192 00 009	192 00 085	192 00 084	

FUNCTION NO De-energized Solenoid valve normally open at rest										1 = Pressure 2 = Outlet 3 = Exhaust			
Orifice Ø (mm)	Flow at 6 bar l/min (SRA)		Coefficient KV	Allowable differential pressure ΔP (bar)		(M)	CODE OF SOLENOID VALVE						
	1 → 2 2 → 3	1 → 2 2 → 3		1 → 2 2 → 3	min.		max.	without connector (= / ~)	with standard connector (= / ~)	with connector with visual indicator (Led) and electrical protection (RC) 24 V = 115 V ~			
1 → 2 2 → 3	1 → 2 2 → 3	1 → 2 2 → 3	1 → 2 2 → 3	min.	max.		(= / ~)	(= / ~)	24 V = 115 V ~				
SOLENOID VALVE WITH EXHAUST IN THE SUBBASE													
2,1	1,9	112	105	1,6	1,5	0	10	▼	192 00 036	192 00 015	(1)	(1)	

FUNCTION U UNIVERSAL										Pressure supply by any port			
Orifice Ø (mm)	Flow at 6 bar l/min (SRA)		Coefficient KV	Allowable differential pressure ΔP (bar)		(M)	CODE OF SOLENOID VALVE						
	1 → 2 2 → 3	1 → 2 2 → 3		1 → 2 2 → 3	min.		max.	without connector (= / ~)	with standard connector (= / ~)	with connector with visual indicator (Led) and electrical protection (RC) 24 V = 115 V ~			
1,5	1,5	56	63	0,8	0,9	0	10	▼	192 00 039	192 00 021	(1)	(1)	

(M) Type of manual override: ▼ : impulse-type

(1) To obtain these versions, please order both the solenoid valve without connector , code: **190 00 030** and one of the connectors defined overleaf.

ELECTRICAL CONNECTOR (ISO 4400)

DESCRIPTION	CODE	
	24 V =	115 V ~
Connector with visual indicator (Led) and electrical protection (RC), with cable gland (CM10)	881 22 603	881 22 605
Connector with visual indicator (Led) and TRANSIL-type electrical protection and cable, with CNOMO lead, 0,8 m long, resistant to cutting oil, ends equipped with a 5-pin 12 mm dia. connector, CNOMO E03.62.520N	881 22 623	-
Standard connector (without LED or protection) with cable gland (CM10)	881 22 602	
Connector (without Led or protection) with flying leads, 2 m long.	881 22 612	

OPTIONS

16 bar version Ø 1,9 mm on request.

Other voltages on request.

Solenoid operator with metal enclosure, IP65 protection.

Solenoid head for dusty explosive atmospheres, zone 22 (see P597)

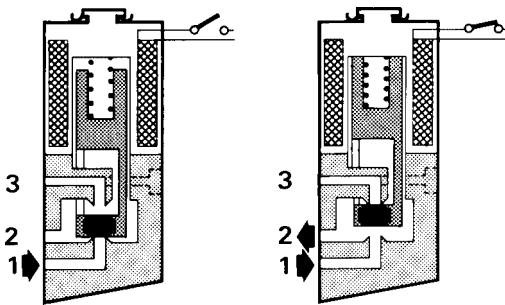
FUNCTIONAL DIAGRAM

FUNCTION NC

Solenoid valve normally closed at rest

De-energized

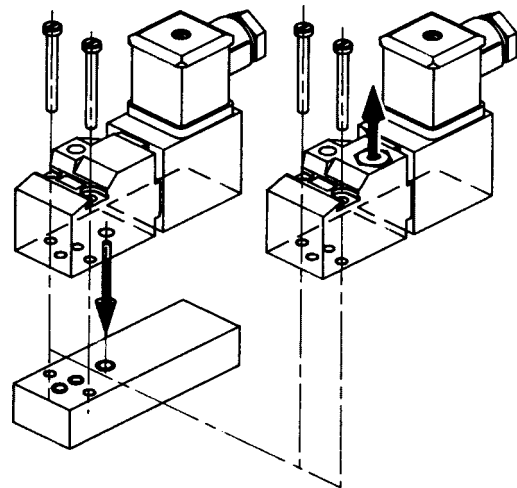
Energized



POSITION OF EXHAUST PORT

- In the subbase (NO and U functions)

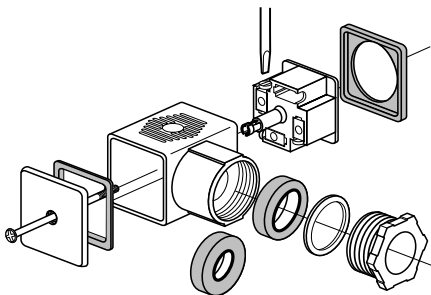
- On front side (G1/8) equipped with an exhaust plug (NC function)



CONNECTION TO CONNECTOR



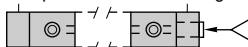


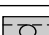
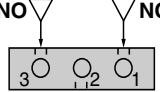
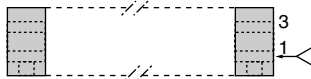
Fast and easy electrical connection.

Connector delivered with 2 sealing rings 6,5 and 8,5 ID for cables with 8 or 10 mm OD.



Removable top cover for checking the voltage without having to unplug the connector and **without interrupting the operation** of the solenoid valve.

SUBBASES

Connection	Type	Composition	CODES
With instant fittings	1 single subbase		353 00 069
	1 joinable subbase		353 00 070
	Set of 2 joinable end subbases, right-hand pressure intake, 6 mm OD instant fitting	Plugged endpiece Instant fitting endpiece 6 mm OD  Ext. Ø 4 mm instant fitting subbases	353 00 071
	Set of 2 joinable end subbases, right-hand and/or left-hand pressure intake, 6 mm OD instant fittings (1)	Plugged endpiece Plug Instant fitting endpiece 6 mm OD  4 mm OD instant fitting endpieces	353 00 072
G 1/8 threads	1 single lateral subbase 2 connectable ports		353 00 047
	1 laterally-connected joinable subbase		353 00 048
G 1/4 threads	1 single subbase 3 connectable ports	NO NC 	353 00 049
	1 joinable subbase 3 connectable ports, lateral bores Function NC - NO (2)		353 00 057

These subbases can be directly mounted on a symmetrical rail to EN 50022 - AFNOR NF C 63015 using 2 or more clips (clips sold in packets of 10, code **334 00 036**).

(1) Equipment can be used for 2 different pressure intakes.

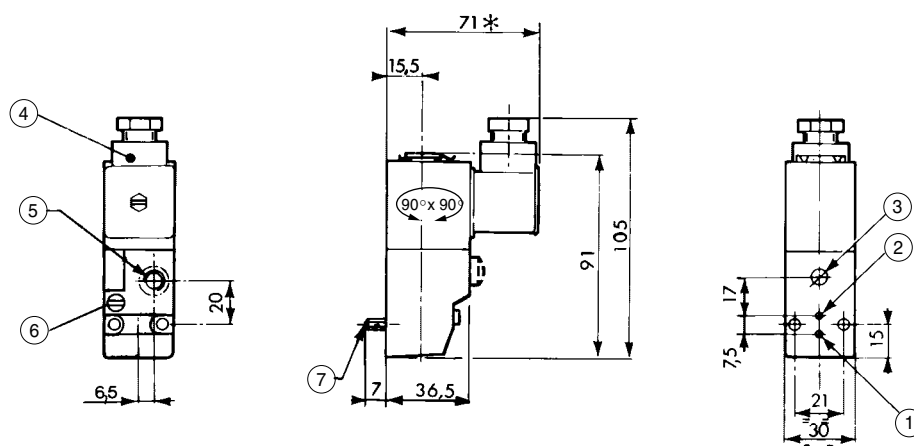
(2) The NC or NO function is obtained by using a specific NC or NO solenoid valve and by reversing the position on the subbase.

5

DIMENSIONS AND WEIGHTS

SINGLE SUBBASE-MOUNTED SOLENOID VALVE

Weight: 0,270 kg



(*) + 15 mm for plug removal

U : Pressure entry through any port

① Port 1 : Pressure (NC) - Exhaust (NO)

② Port 2 : Outlet

③ Port 3 : Exhaust (NC) - Pressure (NO)

④ Connector rotatable by 90° CM 10 (Pg 11P)

⑤ On request : exhaust port G 1/8
and protector on front side

⑥ Optional manual override by impulse, screw or button

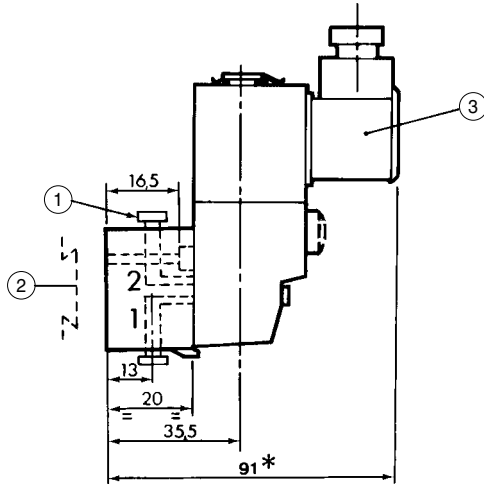
⑦ Secured by screw CM4 x 35

DIMENSIONS AND WEIGHTS

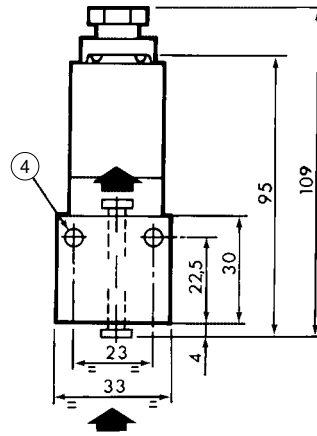
SOLENOID VALVE MOUNTED ON SINGLE INSTANT FITTING SUBBASE

Subbase: code **353 00 069**

Weight: 0,285 kg



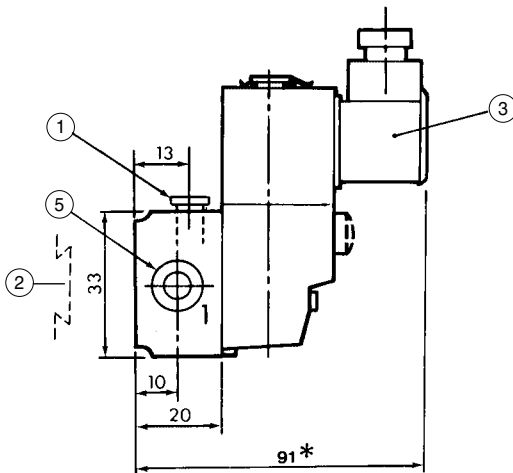
Bottom view



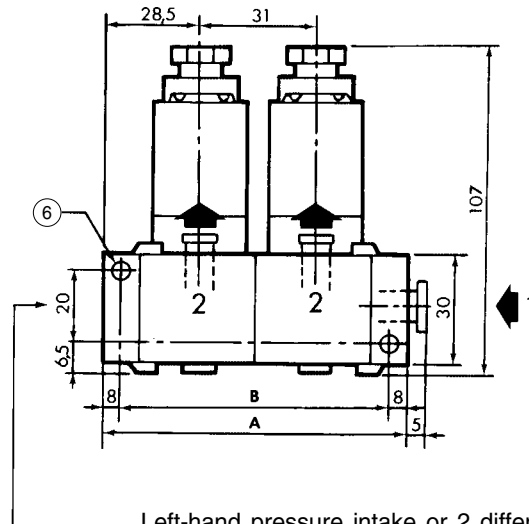
SOLENOID VALVE MOUNTED ON JOINABLE INSTANT FITTING SUBBASE

Subbase: code **353 00 070**

Subbase with endpieces: code **353 00 071**



Bottom view

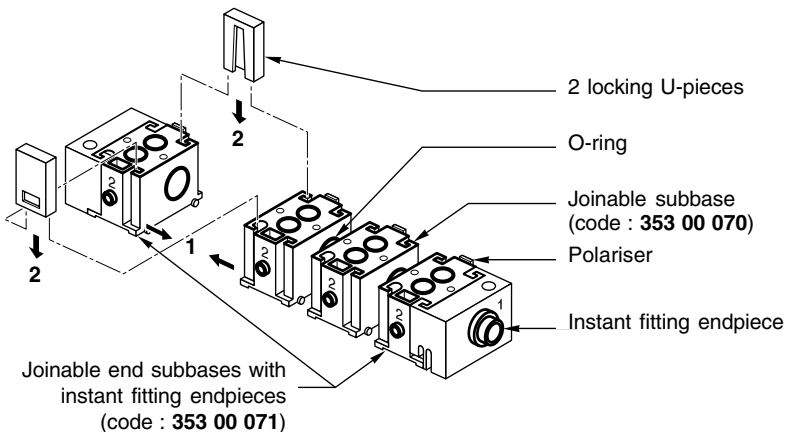


Left-hand pressure intake or 2 different pressure intakes by procuring the set of two end subbases with endpieces - code: **353 00 072**.

When mounted on DIN rail, it is recommended to use a securing clip on the end subbases as well as on the central subbase.

DIMENSION	Number of subbases							
	2	3	4	5	6	7	8	
A	88	119	150	181	212	243	274	
B	72	103	134	165	196	227	258	
Weight (kg) SV + subbase	0,595	0,880	1,165	1,450	1,735	2,020	2,305	

ASSEMBLY



- ① Instant fitting connection for 4 mm OD tube
- ② Adaptable clip
- ③ Connector rotatable by 90° CM10 (Pg 11P)
- ④ 2 Ø 3.5 securing holes Ø 6.5 counterbored, depth: Ø 3.5
- ⑤ Instant fitting connection for Ø 6 mm OD tube
- ⑥ 2 securing holes Ø 4.5
- (*) + 15 mm for connector removal