

GENERAL

| | |
|----------------------------|---|
| Detection | Equipped for magnetic position detectors |
| Fluid | Air or inert gas, filtered, lubricated or not |
| Operating pressure | 10 bar, max. [1 bar =100 kPa] |
| Ambient temperature | -10°C to +70°C |
| Optimal max. speed | ≤ 1 m/s (for optimal service life) |
| Max. speed rate | 2 m/s |
| Standards | CNOMO 06-07-02 to 06-07-15 AFNOR NFE 49001 - NFE 49002 NFE 49011 to NFE 49015 |

CONSTRUCTION

| | |
|----------------------------|---|
| Barrel | Hard anodized aluminium alloy (Ø 25: stainless steel) |
| Tie rods | Stainless steel (Ø32-100), paint steel (Ø 25 + Ø125-200) |
| Front and rear ends | Zamak (Ø 25 mm) - light alloy (Ø 32 to 200 mm) |
| Bearing | Self-lubricating metal |
| Cushioning seals | NBR (nitrile) |
| Cushioning | Pneumatic, adjustable from both sides with captive screw |
| Rod | Hard chrome plated steel |
| Rod nut | Galvanised steel |
| Piston | Ø 25 to 200 mm light alloy fitted with an annular permanent magnet |
| Piston seals | PUR (polyurethane) |
| Rod seal | NBR (nitrile) |



B

| | |
|-------------------|---------|
| cushioning length | |
| Ø 25 - 32 mm | = 15 mm |
| Ø 40 - 50 mm | = 20 mm |
| Ø 63 - 80 mm | = 21 mm |
| Ø 100 - 125 mm | = 24 mm |
| Ø 160 - 200 mm | = 30 mm |

SPECIFICATIONS

| Ø (mm) | connect. Ø (G) ⁽¹⁾ | stroke (mm) | catalogue number * | reference | max. stroke (mm) |
|---------------|-------------------------------|------------------------------|-----------------------------|-----------------------------|------------------|
| 25 | G 1/8 | 25 | 43701270 | PCN 25 A 25 - DM | 2000 |
| | | 50 | 43700999 | PCN 25 A 50 - DM | |
| | | 75 | 43701271 | PCN 25 A 75 - DM | |
| | | 100 | 43701000 | PCN 25 A 100-DM | |
| | | 125 | 43701272 | PCN 25 A 125-DM | |
| | | 150 | 43701001 | PCN 25 A 150-DM | |
| | | 200 | 43701002 | PCN 25 A 200-DM | |
| | | 250 | 43701003 | PCN 25 A 250-DM | |
| | | 300 | 43701273 | PCN 25 A 300-DM | |
| | | 400 | 43701274 | PCN 25 A 400-DM | |
| | | to be defined | 43751263.... ⁽²⁾ | PCN 25 A ⁽²⁾ -DM | |
| | | 32 | G 1/8 | 25 | |
| 50 | 43701004 | | | PCN 32 A 50 - DM | |
| 75 | 43701276 | | | PCN 32 A 75 - DM | |
| 100 | 43701005 | | | PCN 32 A 100-DM | |
| 125 | 43701277 | | | PCN 32 A 125-DM | |
| 150 | 43701006 | | | PCN 32 A 150-DM | |
| 200 | 43701007 | | | PCN 32 A 200-DM | |
| 250 | 43701008 | | | PCN 32 A 250-DM | |
| 300 | 43701278 | | | PCN 32 A 300-DM | |
| 400 | 43701279 | | | PCN 32 A 400-DM | |
| to be defined | 43751264.... ⁽²⁾ | | | PCN 32 A ⁽²⁾ -DM | |
| 40 | G 1/4 | | | 25 | 43701280 |
| | | 50 | 43701009 | PCN 40 A 50 - DM | |
| | | 75 | 43701281 | PCN 40 A 75 - DM | |
| | | 100 | 43701010 | PCN 40 A 100-DM | |
| | | 125 | 43701282 | PCN 40 A 125-DM | |
| | | 150 | 43701011 | PCN 40 A 150-DM | |
| | | 200 | 43701012 | PCN 40 A 200-DM | |
| | | 250 | 43701013 | PCN 40 A 250-DM | |
| | | 300 | 43701014 | PCN 40 A 300-DM | |
| | | 400 | 43701015 | PCN 40 A 400-DM | |
| | | to be defined | 43751265.... ⁽²⁾ | PCN 40 A ⁽²⁾ -DM | |
| | | 50 | G 1/4 | 25 | 43701283 |
| 50 | 43701016 | | | PCN 50 A 50 - DM | |
| 75 | 73701284 | | | PCN 50 A 75 - DM | |
| 100 | 43701017 | | | PCN 50 A 100-DM | |
| 125 | 43701285 | | | PCN 50 A 125-DM | |
| 150 | 43701018 | | | PCN 50 A 150-DM | |
| 200 | 43701019 | | | PCN 50 A 200-DM | |
| 250 | 43701020 | | | PCN 50 A 250-DM | |
| 300 | 43701021 | | | PCN 50 A 300-DM | |
| 400 | 43701022 | | | PCN 50 A 400-DM | |
| to be defined | 43751266.... ⁽²⁾ | | | PCN 50 A ⁽²⁾ -DM | |
| 63 | G 3/8 | | | 25 | 43701286 |
| | | 50 | 43701023 | PCN 63 A 50 - DM | |
| | | 75 | 43701287 | PCN 63 A 75 - DM | |
| | | 100 | 43701024 | PCN 63 A 100-DM | |
| | | 125 | 43701288 | PCN 63 A 125-DM | |
| | | 150 | 43701025 | PCN 63 A 150-DM | |
| | | 200 | 43701026 | PCN 63 A 200-DM | |
| | | 250 | 43701027 | PCN 63 A 250-DM | |
| | | 300 | 43701028 | PCN 63 A 300-DM | |
| | | 400 | 43701029 | PCN 63 A 400-DM | |
| | | 500 | 43701030 | PCN 63 A 500-DM | |
| | | 600 | 43701031 | PCN 63 A 600 S | |
| to be defined | 43751267.... ⁽²⁾ | PCN 63 A ⁽²⁾ -DM | | | |
| 80 | G 3/8 | 25 | 43701289 | PCN 80 A 25 - DM | 2000 |
| | | 50 | 43701032 | PCN 80 A 50 - DM | |
| | | 75 | 43701290 | PCN 80 A 75 - DM | |
| | | 100 | 43701033 | PCN 80 A 100-DM | |
| | | 125 | 43701291 | PCN 80 A 125-DM | |
| | | 150 | 43701034 | PCN 80 A 150-DM | |
| | | 200 | 43701035 | PCN 80 A 200-DM | |
| | | 250 | 43701036 | PCN 80 A 250-DM | |
| | | 300 | 43701037 | PCN 80 A 300-DM | |
| | | 400 | 43701038 | PCN 80 A 400-DM | |
| | | 500 | 43701039 | PCN 80 A 500-DM | |
| | | 600 | 43701040 | PCN 80 A 600-DM | |
| to be defined | 43751268.... ⁽²⁾ | PCN 80 A ⁽²⁾ -DM | | | |
| 100 | G 1/2 | 25 | 43701494 | PCN 100 A 25 - DM | 2000 |
| | | 50 | 43701329 | PCN 100 A 50 - DM | |
| | | 75 | 43701495 | PCN 100 A 75 - DM | |
| | | 100 | 43701330 | PCN 100 A 100 - DM | |
| | | 125 | 43701496 | PCN 100 A 125 - DM | |
| | | 150 | 43701331 | PCN 100 A 150 - DM | |
| | | 200 | 43701332 | PCN 100 A 200 - DM | |
| | | 250 | 43701333 | PCN 100 A 250 - DM | |
| | | 300 | 43701334 | PCN 100 A 300 - DM | |
| | | 400 | 43701335 | PCN 100 A 400 - DM | |
| | | 500 | 43701336 | PCN 100 A 500 - DM | |
| | | 600 | 43701337 | PCN 100 A 600 - DM | |
| 700 | 43701338 | PCN 100 A 700 - DM | | | |
| 800 | 43701339 | PCN 100 A 800 - DM | | | |
| 900 | 43701340 | PCN 100 A 900 - DM | | | |
| 1000 | 43701341 | PCN 100 A 1000-DM | | | |
| to be defined | 43751278.... ⁽²⁾ | PCN 100 A ⁽²⁾ -DM | | | |

* The magnetic position detectors must be ordered separately:
- "T" model (see page P291)

⁽¹⁾ Thread connection: G = ISO 16030

⁽²⁾ Code for non standard stroke, to be defined.
(Min. stroke: 5 mm)

SPECIFICATIONS

| Ø (mm) | connect. Ø (G) ⁽¹⁾ | stroke (mm) | catalogue number * | reference | max. stroke (mm) |
|--------|-------------------------------|-------------|--------------------|-----------------------------|------------------|
| 125 | G 1/2 | 25 | 43701497 | PCN 125 A 25 - DM | 2000 |
| | | 50 | 43701355 | PCN 125 A 50 - DM | |
| | | 75 | 43701498 | PCN 125 A 75 - DM | |
| | | 100 | 43701356 | PCN 125 A 100 - DM | |
| | | 125 | 43701499 | PCN 125 A 125 - DM | |
| | | 150 | 43701357 | PCN 125 A 150 - DM | |
| | | 200 | 43701358 | PCN 125 A 200 - DM | |
| | | 250 | 43701359 | PCN 125 A 250 - DM | |
| | | 300 | 43701360 | PCN 125 A 300 - DM | |
| | | 400 | 43701361 | PCN 125 A 400 - DM | |
| | | 500 | 43701362 | PCN 125 A 500 - DM | |
| | | 600 | 43701363 | PCN 125 A 600 - DM | |
| | | 700 | 43701364 | PCN 125 A 700 - DM | |
| | | 800 | 43701365 | PCN 125 A 800 - DM | |
| | | 900 | 43701366 | PCN 125 A 900 - DM | |
| | | 1000 | 43701367 | PCN 125 A 1000-DM | |
| | | | to be defined | 43751279.... ⁽²⁾ | |
| 160 | G 3/4 | 25 | 43701500 | PCN 160 A 25 - DM | 2000 |
| | | 50 | 43701381 | PCN 160 A 50 - DM | |
| | | 75 | 43701501 | PCN 160 A 75 - DM | |
| | | 100 | 43701382 | PCN 160 A 100 - DM | |
| | | 125 | 43701502 | PCN 160 A 125 - DM | |
| | | 150 | 43701383 | PCN 160 A 150 - DM | |
| | | 200 | 43701384 | PCN 160 A 200 - DM | |
| | | 250 | 43701385 | PCN 160 A 250 - DM | |
| | | 300 | 43701386 | PCN 160 A 300 - DM | |
| | | 400 | 43701387 | PCN 160 A 400 - DM | |
| | | 500 | 43701388 | PCN 160 A 500 - DM | |
| | | 600 | 43701389 | PCN 160 A 600 - DM | |
| | | 700 | 43701390 | PCN 160 A 700 - DM | |
| | | 800 | 43701391 | PCN 160 A 800 - DM | |
| | | 900 | 43701392 | PCN 160 A 900 - DM | |
| | | 1000 | 43701393 | PCN 160 A 1000-DM | |
| | | | to be defined | 43751280.... ⁽²⁾ | |

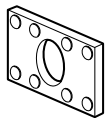
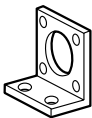
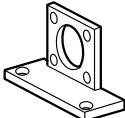
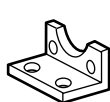
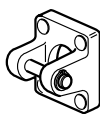
| Ø (mm) | connect. Ø (G) ⁽¹⁾ | stroke (mm) | catalogue number * | reference | max. stroke (mm) |
|--------|-------------------------------|-------------|--------------------|-----------------------------|------------------|
| 200 | G 3/4 | 25 | 43701503 | PCN 200 A 25 - DM | 2000 |
| | | 50 | 43701407 | PCN 200 A 50 - DM | |
| | | 75 | 43701504 | PCN 200 A 75 - DM | |
| | | 100 | 43701408 | PCN 200 A 100 - DM | |
| | | 125 | 43701505 | PCN 200 A 125 - DM | |
| | | 150 | 43701409 | PCN 200 A 150 - DM | |
| | | 200 | 43701410 | PCN 200 A 200 - DM | |
| | | 250 | 43701411 | PCN 200 A 250 - DM | |
| | | 300 | 43701412 | PCN 200 A 300 - DM | |
| | | 400 | 43701413 | PCN 200 A 400 - DM | |
| | | 500 | 43701414 | PCN 200 A 500 - DM | |
| | | 600 | 43701415 | PCN 200 A 600 - DM | |
| | | 700 | 43701416 | PCN 200 A 700 - DM | |
| | | 800 | 43701417 | PCN 200 A 800 - DM | |
| | | 900 | 43701418 | PCN 200 A 900 - DM | |
| | | 1000 | 43701419 | PCN 200 A 1000-DM | |
| | | | to be defined | 43751281.... ⁽²⁾ | |

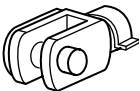
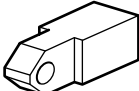
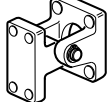

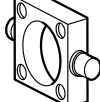
* The magnetic position detectors must be ordered separately: - "T" model (see page P291)

⁽¹⁾ Thread connection: G = ISO 16030

⁽²⁾ Code for non standard stroke, to be defined. (Min. stroke: 5 mm)

MOUNTINGS

| Ø (mm) | catalogue number | | | | |
|--------|---|--|---|--|---|
| |  Front or rear flange CNOMO 06-07-04 |  Standard foot, high CNOMO 06-07-05 |  Foot, high and broad CNOMO 06-07-06 |  Low feet * stamped steel |  Front or rear trunnion CNOMO 06-07-09 |
| 25 | 43900101 | 43900061 | 43900071 | 43900169 | 43900031 |
| 32 | 43900102 | 43900062 | 43900072 | 43900170 | 43900032 |
| 40 | 43900103 | 43900063 | 43900073 | 43900171 | 43900033 |
| 50 | 43900104 | 43900064 | 43900074 | 43900172 | 43900034 |
| 63 | 43900105 | 43900065 | 43900075 | 43900173 | 43900035 |
| 80 | 43900106 | 43900066 | 43900076 | 43900174 | 43900036 |
| 100 | 43900107 | 43900067 | 43900077 | 43900175 | 43900037 |
| 125 | 43900108 | 43900068 | 43900078 | 43900176 | 43900038 |
| 160 | 43900109 | 43900069 | 43900079 | 43900177 | 43900039 |
| 200 | 43900110 | 43900070 | 43900080 | 43900178 | 43900040 |

| Ø (mm) | catalogue number | | | | |
|--------|--|--|---|--|--|
| |  female rod clevis CNOMO 06-07-14 |  Male rod clevis CNOMO 06-07-15 |  Straight complete trunnion mounting CNOMO 06-07-10 |  Complete trunnion mounting w/ angular clevis bracket CNOMO 06-07-11 |  Centre trunnion *** CNOMO 06-07-12 |
| 25 | 43900091 | 43900081 | 43900021 | 43900011 | 410500 |
| 32 | 43900091 | 43900081 | 43900022 | 43900012 | 410501 |
| 40 | 43900093 | 43900083 | 43900023 | 43900013 | 410502 |
| 50 | 43900093 | 43900083 | 43900024 | 43900014 | 410503 |
| 63 | 43900095 | 43900085 | 43900025 | 43900015 | 410504 |
| 80 | 43900095 | 43900085 | 43900026 | 43900016 | 410505 |
| 100 | 43900097 | 43900087 | 43900027 | 43900017 | 410506 |
| 125 | 43900097 | 43900087 | 43900028 | 43900018 | 410507 |
| 160 | 43900099 | 43900089 | 43900029 | 43900019 | 410508 |
| 200 | 43900099 | 43900089 | 43900030 | 43900020 | 410509 |

* Corresponds to a set of 2 parts.

** The code of the centre trunnion, the dimension G (see last page) and, if necessary, the orientation code of the trunnion with respect to the ports must be added to the code for the cylinder.

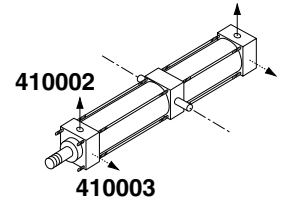
NOTE: The mountings are identical for CNOMO cylinders either with or without magnetic position detectors.

With the exception of the centre trunnion, mountings are delivered separately.

All leaflets are available on: www.asconumatics.eu

OPTIONS AND SPECIAL VERSIONS

- Other strokes on request
 - Version without cushioning and/or non equipped for magnetic position detectors.
 - Standard orientation of trunnion: trunnion axis perpendicular to the ports - cat no. **410002** (other position on request - cat. no. **410003**)
 - Piston rod in 316L stainless steel, cat. no.: **995002** - in 303 stainless steel, cat. no.: **995202**
 - Overlength piston rod in hard chrome steel, cat. no.: **995003** - in 316L stainless steel, cat. no.: **995004** - in 303 stainless steel, cat. no.: **995204**
 - Through rod: contact us
- Other options and special versions: contact us



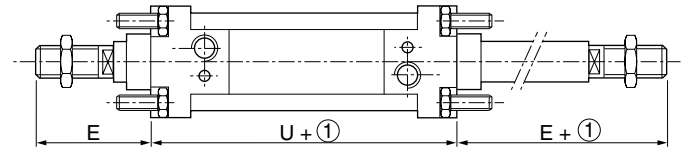
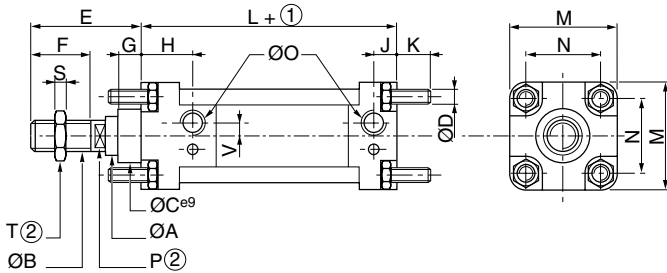
DIMENSIONS (mm), WEIGHT (kg)



THROUGH-ROD TYPE CYLINDER
Tie-rod cylinder
CNOMO 06.07.02



SINGLE-ROD TYPE CYLINDER
Tie-rod cylinder
CNOMO 06.07.02

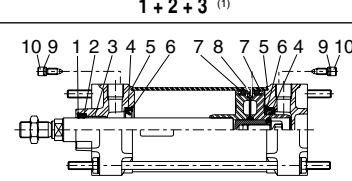


- ① Stroke
- ② Width across flats

| Ø | A | B | C | D | E | F | G | H | J | K | L | M | N | O | P | S |
|-----|----|-----------|----|-----|-----|----|----|------|------|----|-----|-----|-----|------|----|------|
| 25 | 12 | M10 x 1,5 | 25 | M6 | 45 | 20 | 15 | 14 | 14 | 17 | 80 | 40 | 28 | G1/8 | 8 | 5 |
| 32 | 12 | M10 x 1,5 | 25 | M6 | 45 | 20 | 15 | 18 | 11,5 | 17 | 80 | 45 | 33 | G1/8 | 8 | 5 |
| 40 | 18 | M16 x 1,5 | 32 | M6 | 70 | 36 | 15 | 29,5 | 11 | 17 | 110 | 52 | 40 | G1/4 | 13 | 8 |
| 50 | 18 | M16 x 1,5 | 32 | M8 | 70 | 36 | 15 | 29,5 | 14 | 23 | 110 | 65 | 49 | G1/4 | 13 | 8 |
| 63 | 22 | M20 x 1,5 | 45 | M8 | 85 | 46 | 20 | 33 | 16 | 23 | 125 | 75 | 59 | G3/8 | 17 | 10 |
| 80 | 22 | M20 x 1,5 | 45 | M10 | 85 | 46 | 20 | 33 | 16 | 28 | 125 | 95 | 75 | G3/8 | 17 | 10 |
| 100 | 30 | M27 x 2 | 55 | M10 | 110 | 63 | 20 | 30 | 30 | 28 | 145 | 115 | 90 | G1/2 | 22 | 13,5 |
| 125 | 30 | M27 x 2 | 55 | M12 | 110 | 63 | 20 | 36,5 | 18 | 34 | 145 | 140 | 110 | G1/2 | 22 | 13,5 |
| 160 | 40 | M36 x 2 | 65 | M16 | 135 | 85 | 25 | 39 | 20 | 42 | 180 | 180 | 140 | G3/4 | 32 | 18 |
| 200 | 40 | M36 x 2 | 65 | M16 | 135 | 85 | 25 | 39 | 20 | 42 | 180 | 220 | 175 | G3/4 | 32 | 18 |

| Ø | T | U | V | weight | |
|-----|----|-----|-----|--------|-------|
| | | | | (3) | (4) |
| 25 | 17 | 90 | 2,5 | 0,520 | 0,280 |
| 32 | 17 | 90 | 4 | 0,640 | 0,320 |
| 40 | 24 | 129 | 1,5 | 0,910 | 0,470 |
| 50 | 24 | 129 | 4 | 1,200 | 0,600 |
| 63 | 30 | 146 | 5,5 | 1,970 | 0,830 |
| 80 | 30 | 146 | 5,5 | 2,700 | 1,100 |
| 100 | 41 | 164 | - | 5,100 | 1,280 |
| 125 | 41 | 164 | - | 6,500 | 2,000 |
| 160 | 54 | 200 | - | 13,550 | 3,250 |
| 200 | 54 | 200 | - | 18,000 | 4,100 |

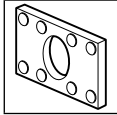
(3) Cylinder weight at 0 mm stroke.
(4) Weight to be added per additional 100 mm length.

| Ø (mm) | SPARE PARTS KITS CODE | |
|-----------|---|--|
| | 1 + 2 + 3 ⁽¹⁾ | 4 to 10 (Except 6: Ø25 to 100) seals |
| 25 |  97801393 | 97801412 |
| 32 | 97801393 | 97801394 |
| 40 | 97801395 | 97801396 |
| 50 | 97801395 | 97801398 |
| 63 | 97801399 | 97801400 |
| 80 | 97801399 | 97801402 |
| 100 | 97801543 | 97802263 |
| 125 | 97801569 | 97802264 |
| 160 | 97801544 | 97802265 |
| 200 | 97801544 | 97802266 |

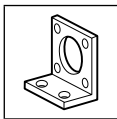
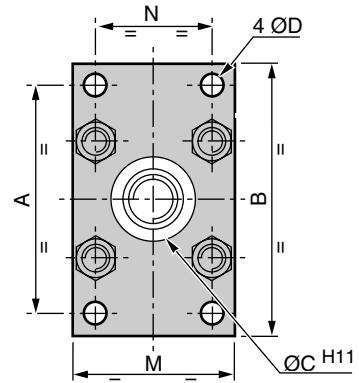
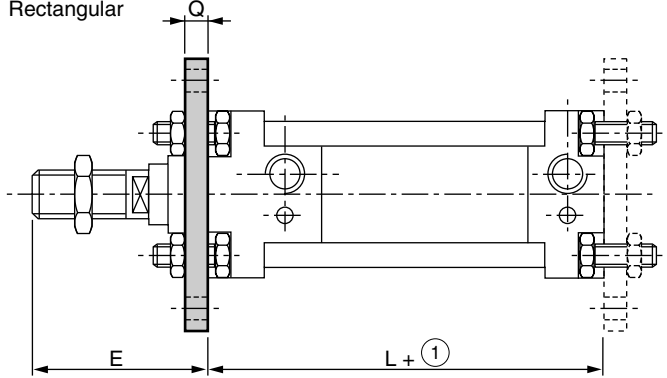
⁽¹⁾ For best results, use grease supplied in each kit. Supplementary tube (11 cm³) available on request, catalogue number: **97802100**
⁽²⁾ Specify stroke length (in mm).



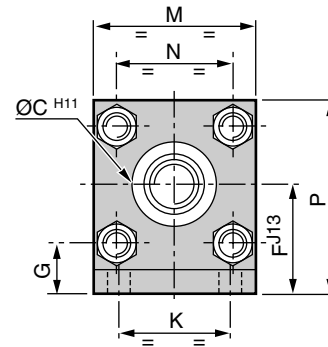
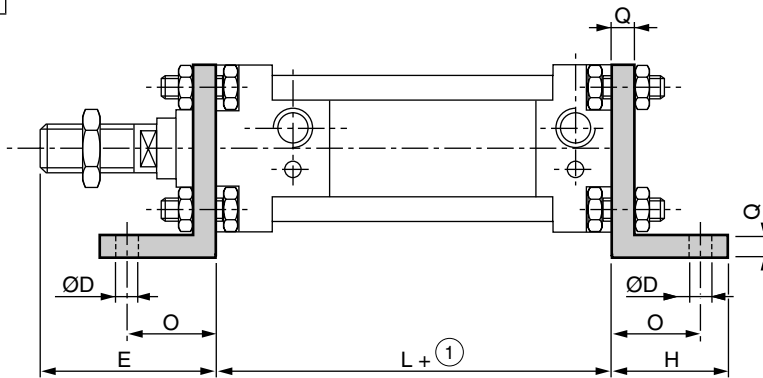
DIMENSIONS (mm), WEIGHT (kg)



MOUNTING
Front or rear flange
CNOMO 06-07-04
Rectangular



MOUNTING
Standard foot, high
CNOMO 06-07-05



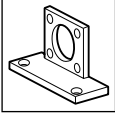
① Stroke

| Ø | A | B | ØC | ØD | E | F | G | H | K | L | M | N | O | P | Q |
|-----|-----|-----|----|----|-----|-----|------|----|-----|-----|-----|-----|----|-----|----|
| 25 | 68 | 80 | 25 | 9 | 45 | 30 | 16 | 35 | 24 | 80 | 40 | 28 | 27 | 50 | 8 |
| 32 | 68 | 80 | 25 | 9 | 45 | 32 | 15,5 | 35 | 28 | 80 | 45 | 33 | 27 | 54 | 8 |
| 40 | 78 | 90 | 32 | 9 | 70 | 36 | 16 | 35 | 36 | 110 | 52 | 40 | 27 | 62 | 8 |
| 50 | 94 | 110 | 32 | 11 | 70 | 45 | 20,5 | 45 | 45 | 110 | 65 | 49 | 35 | 77 | 10 |
| 63 | 104 | 120 | 45 | 11 | 85 | 50 | 20,5 | 45 | 55 | 125 | 75 | 59 | 35 | 87 | 10 |
| 80 | 130 | 150 | 45 | 14 | 85 | 63 | 25,5 | 55 | 70 | 125 | 95 | 75 | 43 | 110 | 12 |
| 100 | 150 | 170 | 55 | 14 | 110 | 73 | 28 | 55 | 90 | 145 | 115 | 90 | 43 | 130 | 12 |
| 125 | 180 | 205 | 55 | 18 | 110 | 91 | 36 | 68 | 100 | 145 | 140 | 110 | 52 | 161 | 16 |
| 160 | 228 | 260 | 65 | 22 | 135 | 115 | 45 | 80 | 130 | 180 | 180 | 140 | 62 | 205 | 20 |
| 200 | 268 | 300 | 65 | 22 | 135 | 135 | 47,5 | 80 | 170 | 180 | 220 | 175 | 62 | 245 | 20 |

| Ø | weight | |
|----|----------------------|---------------------|
| | Front or rear flange | Standard foot, high |
| 25 | 0,140 | 0,140 |
| 32 | 0,170 | 0,180 |
| 40 | 0,220 | 0,220 |
| 50 | 0,440 | 0,470 |
| 63 | 0,530 | 0,550 |

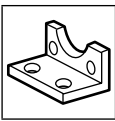
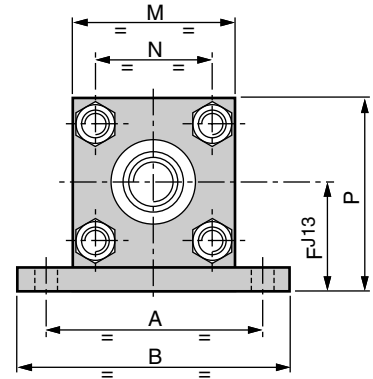
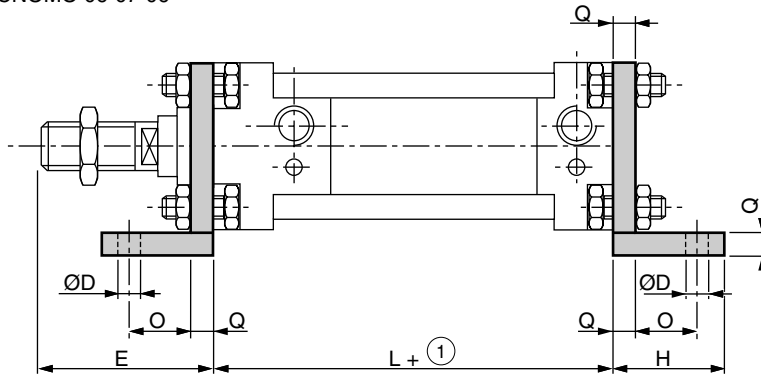
| Ø | weight | |
|-----|----------------------|---------------------|
| | Front or rear flange | Standard foot, high |
| 80 | 1,080 | 1,090 |
| 100 | 1,520 | 1,500 |
| 125 | 3,060 | 3,240 |
| 160 | 6,380 | 6,350 |
| 200 | 9,580 | 9,150 |

DIMENSIONS (mm), WEIGHT (kg)



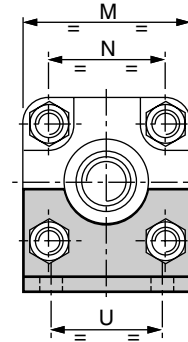
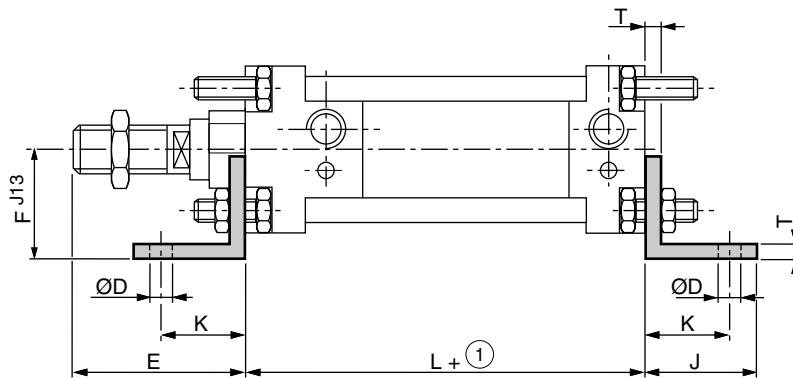
MOUNTING

Foot, high and broad
CNOMO 06-07-06



MOUNTING

Low feet
stamped steel
CNOMO 06-07-05



① Stroke

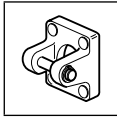
| Ø | A | B | ØD | E | F | H | J | K | L | M | N | O | P | Q | T | U |
|-----|-----|-----|----|-----|-----|----|------|----|-----|-----|-----|----|-----|----|-----|-----|
| 25 | 58 | 75 | 9 | 45 | 30 | 35 | 35 | 27 | 80 | 40 | 28 | 10 | 50 | 8 | 2,5 | 24 |
| 32 | 65 | 82 | 9 | 45 | 32 | 35 | 37,5 | 27 | 80 | 45 | 33 | 10 | 54 | 8 | 3 | 28 |
| 40 | 72 | 90 | 9 | 70 | 36 | 35 | 35 | 27 | 110 | 52 | 40 | 10 | 62 | 8 | 3 | 36 |
| 50 | 90 | 110 | 11 | 70 | 45 | 45 | 45 | 35 | 110 | 65 | 49 | 12 | 77 | 10 | 4 | 45 |
| 63 | 100 | 120 | 11 | 85 | 50 | 45 | 45 | 35 | 125 | 75 | 59 | 12 | 87 | 10 | 4 | 55 |
| 80 | 126 | 155 | 14 | 85 | 63 | 55 | 55,5 | 43 | 125 | 95 | 75 | 16 | 110 | 12 | 5 | 70 |
| 100 | 148 | 180 | 14 | 110 | 73 | 55 | 55 | 43 | 145 | 115 | 90 | 16 | 130 | 12 | 5 | 90 |
| 125 | 180 | 215 | 18 | 110 | 91 | 68 | 72 | 52 | 145 | 140 | 110 | 16 | 161 | 16 | 5 | 100 |
| 160 | 230 | 275 | 22 | 135 | 115 | 80 | 87 | 62 | 180 | 180 | 140 | 20 | 205 | 20 | 6 | 130 |
| 200 | 270 | 315 | 22 | 135 | 135 | 80 | 95 | 62 | 180 | 220 | 175 | 20 | 245 | 20 | 6 | 170 |

| Ø | weight | |
|----|----------------------|----------|
| | Foot, high and broad | Low feet |
| 25 | 0,220 | 0,100 |
| 32 | 0,260 | 0,120 |
| 40 | 0,310 | 0,150 |
| 50 | 0,620 | 0,310 |
| 63 | 0,720 | 0,340 |

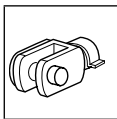
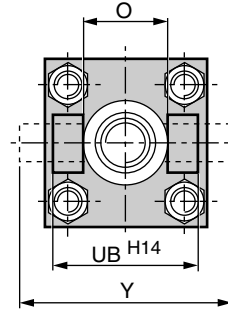
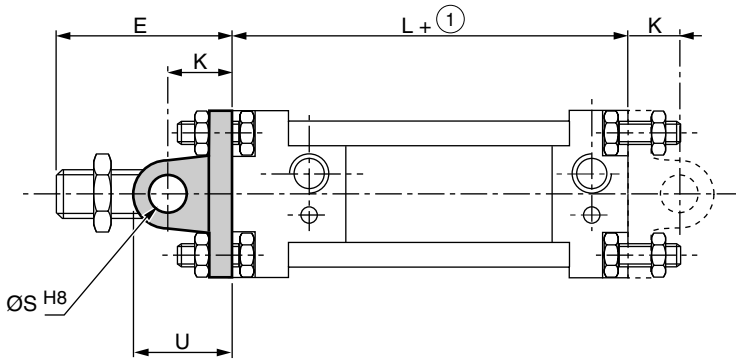
| Ø | weight | |
|-----|----------------------|----------|
| | Foot, high and broad | Low feet |
| 80 | 1,390 | 0,700 |
| 100 | 1,820 | 0,740 |
| 125 | 3,910 | 1,350 |
| 160 | 7,770 | 2,570 |
| 200 | 10,790 | 3,450 |

00343GB-2013/R01
Availability, design and specifications are subject to change without notice. All rights reserved.

DIMENSIONS (mm), WEIGHT (kg)

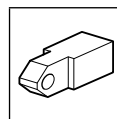


MOUNTING
Front or rear trunnion
CNOMO 06-07-09



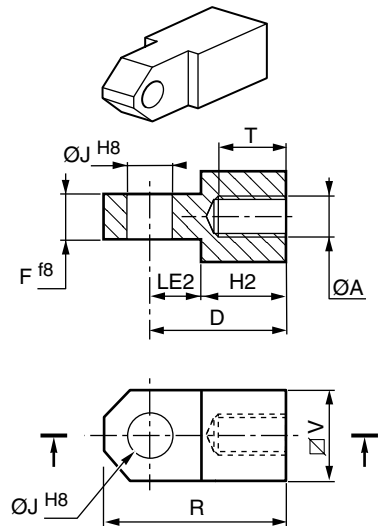
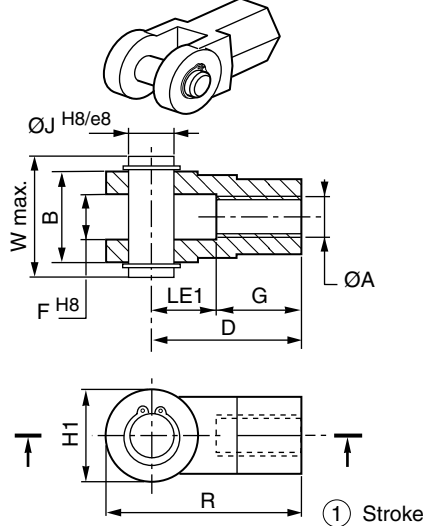
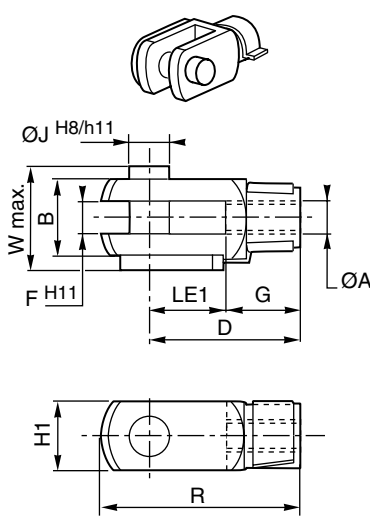
MOUNTING
Female rod clevis
CNOMO 06-07-14

Ø 25...80 mm



MOUNTING
Male rod clevis
CNOMO 06-07-15

Ø 100...200 mm

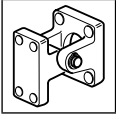


| Ø | A | B | D | E | F | G | H1 | H2 | J | K | L | LE1 | LE2 | O | R | ØS | T | U | UB | V | W | Y |
|-----|-----------|----|-----|-----|----|----|----|----|----|----|-----|-----|-----|----|-----|----|----|----|-----|----|----|-----|
| 25 | M10 x 1,5 | 22 | 36 | 45 | 11 | 20 | 22 | 25 | 8 | 18 | 80 | 16 | 11 | 26 | 45 | 8 | 20 | 26 | 40 | 22 | 28 | 49 |
| 32 | M10 x 1,5 | 22 | 36 | 45 | 11 | 20 | 22 | 25 | 8 | 18 | 80 | 16 | 11 | 26 | 45 | 8 | 20 | 26 | 45 | 22 | 28 | 54 |
| 40 | M16 x 1,5 | 36 | 51 | 70 | 18 | 26 | 26 | 34 | 12 | 24 | 110 | 25 | 17 | 33 | 64 | 12 | 30 | 36 | 52 | 32 | 44 | 62 |
| 50 | M16 x 1,5 | 36 | 51 | 70 | 18 | 26 | 26 | 34 | 12 | 26 | 110 | 25 | 17 | 33 | 64 | 12 | 30 | 38 | 60 | 32 | 44 | 70 |
| 63 | M20 x 1,5 | 45 | 63 | 85 | 22 | 30 | 34 | 41 | 16 | 30 | 125 | 33 | 22 | 47 | 80 | 16 | 36 | 46 | 70 | 35 | 53 | 80 |
| 80 | M20 x 1,5 | 45 | 63 | 85 | 22 | 30 | 34 | 41 | 16 | 32 | 125 | 33 | 22 | 47 | 80 | 16 | 36 | 48 | 90 | 35 | 53 | 100 |
| 100 | M27 x 2 | 63 | 85 | 110 | 30 | 55 | 44 | 58 | 20 | 37 | 145 | 30 | 27 | 57 | 105 | 20 | 50 | 57 | 110 | 45 | 76 | 123 |
| 125 | M27 x 2 | 63 | 85 | 110 | 30 | 55 | 44 | 58 | 20 | 41 | 145 | 30 | 27 | 57 | 105 | 20 | 50 | 61 | 140 | 45 | 76 | 153 |
| 160 | M36 x 2 | 80 | 115 | 135 | 40 | 75 | 56 | 81 | 25 | 55 | 180 | 40 | 34 | 72 | 140 | 25 | 70 | 80 | 180 | 63 | 93 | 193 |
| 200 | M36 x 2 | 80 | 115 | 135 | 40 | 75 | 56 | 81 | 25 | 55 | 180 | 40 | 34 | 72 | 140 | 25 | 70 | 80 | 220 | 63 | 93 | 233 |

| Ø | weight | | |
|----|------------------------|-------------------|-----------------|
| | Front or rear trunnion | Female rod clevis | Male rod clevis |
| 25 | 0,090 | 0,095 | 0,120 |
| 32 | 0,120 | 0,095 | 0,120 |
| 40 | 0,210 | 0,250 | 0,320 |
| 50 | 0,350 | 0,250 | 0,320 |
| 63 | 0,500 | 0,530 | 0,480 |

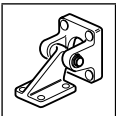
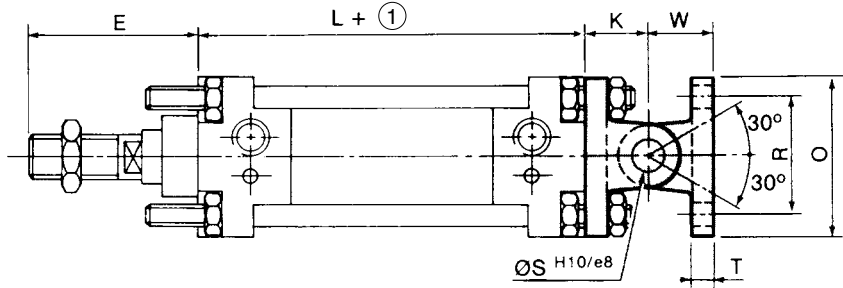
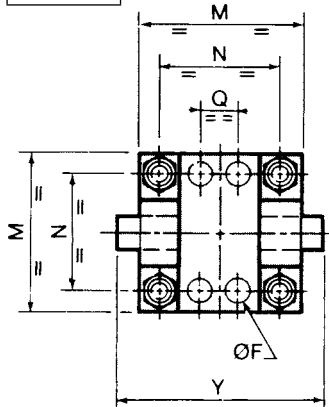
| Ø | weight | | |
|-----|------------------------|-------------------|-----------------|
| | Front or rear trunnion | Female rod clevis | Male rod clevis |
| 80 | 1,070 | 0,530 | 0,480 |
| 100 | 1,500 | 1,050 | 1 |
| 125 | 2,430 | 1,050 | 1 |
| 160 | 5,330 | 2,150 | 2,270 |
| 200 | 7,020 | 2,150 | 2,270 |

DIMENSIONS (mm), WEIGHT (kg)



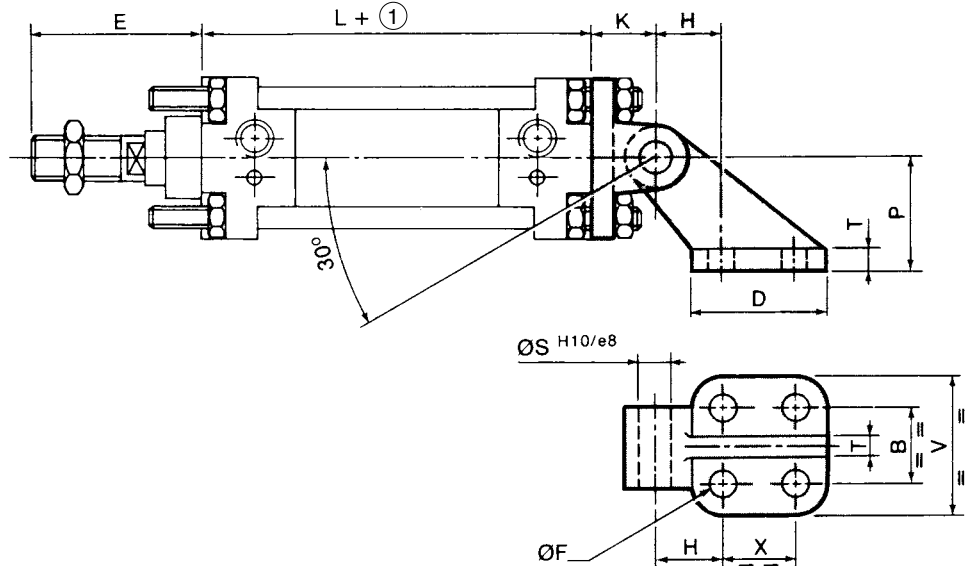
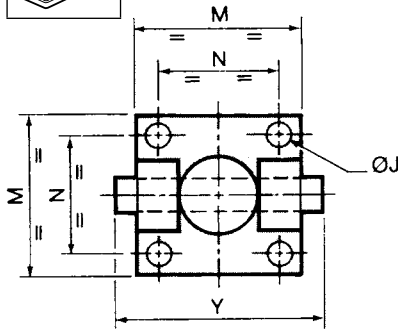
MOUNTING

Straight complete trunnion mounting
CNOMO 06-07-10



MOUNTING

Complete trunnion mounting w/ angular clevis bracket
CNOMO 06-07-11



① Stroke

| Ø | B | D | E | ØF | H | ØJ | K | L | M | N | O | P | Q | R | ØS | T | V | W | X | Y |
|-----|----|-----|-----|----|----|----|----|-----|-----|-----|-----|-----|----|-----|----|----|-----|----|-----|-----|
| 25 | 25 | 37 | 45 | 7 | 18 | 7 | 18 | 80 | 40 | 28 | 40 | 32 | 0 | 28 | 8 | 8 | 41 | 18 | 20 | 49 |
| 32 | 25 | 37 | 45 | 7 | 18 | 7 | 18 | 80 | 45 | 33 | 40 | 32 | 0 | 28 | 8 | 8 | 41 | 18 | 20 | 54 |
| 40 | 32 | 54 | 70 | 9 | 25 | 7 | 24 | 110 | 52 | 40 | 52 | 45 | 16 | 38 | 12 | 10 | 52 | 26 | 32 | 62 |
| 50 | 32 | 54 | 70 | 9 | 25 | 9 | 26 | 110 | 65 | 49 | 52 | 45 | 16 | 38 | 12 | 10 | 52 | 26 | 32 | 70 |
| 63 | 40 | 75 | 85 | 11 | 32 | 9 | 30 | 125 | 75 | 59 | 75 | 63 | 25 | 54 | 16 | 12 | 63 | 34 | 50 | 80 |
| 80 | 40 | 75 | 85 | 11 | 32 | 11 | 32 | 125 | 75 | 75 | 75 | 63 | 25 | 54 | 16 | 12 | 63 | 34 | 50 | 100 |
| 100 | 50 | 103 | 110 | 14 | 40 | 11 | 37 | 145 | 115 | 90 | 115 | 90 | 32 | 90 | 20 | 16 | 80 | 41 | 70 | 123 |
| 125 | 50 | 103 | 110 | 14 | 40 | 14 | 41 | 145 | 115 | 110 | 115 | 90 | 32 | 90 | 20 | 16 | 80 | 41 | 70 | 153 |
| 160 | 63 | 154 | 135 | 18 | 50 | 18 | 55 | 180 | 180 | 140 | 180 | 140 | 43 | 150 | 25 | 20 | 103 | 55 | 110 | 193 |
| 200 | 63 | 154 | 135 | 18 | 50 | 18 | 55 | 180 | 180 | 175 | 180 | 140 | 43 | 150 | 25 | 20 | 103 | 55 | 110 | 233 |

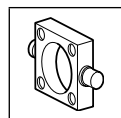
| Ø | weight | |
|----|-------------------------------------|--|
| | Straight complete trunnion mounting | Complete trunnion mounting w/ angular clevis bracket |
| 25 | 0,180 | 0,240 |
| 32 | 0,210 | 0,280 |
| 40 | 0,410 | 0,550 |
| 50 | 0,540 | 0,720 |
| 63 | 1,040 | 1,360 |

| Ø | weight | |
|-----|-------------------------------------|--|
| | Straight complete trunnion mounting | Complete trunnion mounting w/ angular clevis bracket |
| 80 | 1,610 | 1,930 |
| 100 | 2,280 | 3,270 |
| 125 | 3,330 | 4,350 |
| 160 | 7,480 | 12,020 |
| 200 | 9,290 | 12,230 |

00343GB-2013/R01
Availability, design and specifications are subject to change without notice. All rights reserved.

B

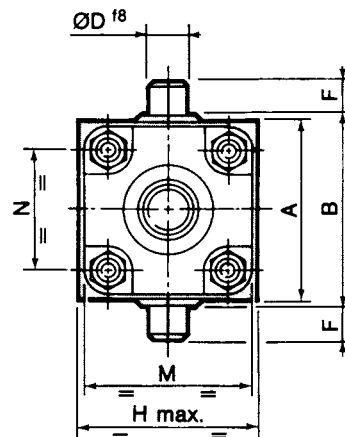
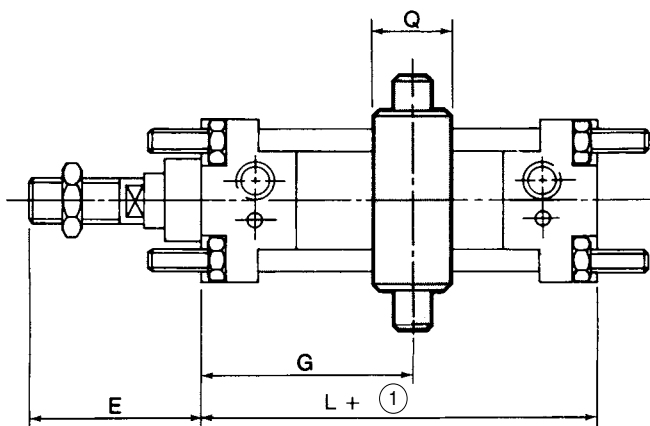
DIMENSIONS (mm), WEIGHT (kg)



MOUNTING

Centre trunnion
CNOMO 06-07-12

Note: The centre trunnion is delivered pre-assembled.



① Stroke

| Ø | A | B | D | E | F | H | L | M | N | Q | without detectors | | with detectors | | | weight (trunnion alone) |
|-----|-----|-----|----|-----|----|-----|-----|-----|-----|----|-------------------|---------|----------------|--------|--------|-------------------------|
| | | | | | | | | | | | G min. | G max. | G min. | G max. | C min. | |
| 25 | 38 | 42 | 12 | 45 | 12 | 60 | 80 | 40 | 28 | 22 | 38 | 42 + ① | 80 | ① - 10 | 90 | 0,140 |
| 32 | 46 | 50 | 12 | 45 | 12 | 65 | 80 | 45 | 33 | 22 | 45 | 45 + ① | 97 | ① + 10 | 90 | 0,180 |
| 40 | 58 | 63 | 16 | 70 | 16 | 75 | 110 | 52 | 40 | 30 | 66 | 63 + ① | 118 | ① + 20 | 95 | 0,380 |
| 50 | 68 | 73 | 16 | 70 | 16 | 90 | 110 | 65 | 49 | 30 | 55 | 63 + ① | 118 | ① + 20 | 95 | 0,460 |
| 63 | 84 | 90 | 20 | 85 | 20 | 100 | 125 | 75 | 59 | 35 | 77 | 69 + ① | 129 | ① + 30 | 100 | 0,820 |
| 80 | 102 | 108 | 20 | 85 | 20 | 125 | 125 | 95 | 75 | 35 | 77 | 69 + ① | 129 | ① + 30 | 100 | 1,060 |
| 100 | 124 | 131 | 25 | 110 | 25 | 140 | 145 | 115 | 90 | 40 | 76 | 89 + ① | 130 | ① + 10 | 120 | 1,800 |
| 125 | 152 | 159 | 25 | 110 | 25 | 170 | 145 | 140 | 110 | 40 | 76 | 89 + ① | 130 | ① + 20 | 115 | 2,490 |
| 160 | 190 | 198 | 32 | 135 | 32 | 215 | 180 | 180 | 140 | 50 | 84 | 116 + ① | 145 | ① + 20 | 130 | 4,170 |
| 200 | 240 | 248 | 32 | 135 | 32 | 250 | 180 | 220 | 175 | 50 | 84 | 116 + ① | 145 | ① + 25 | 120 | 4,200 |

Unless otherwise specified on the order, all cylinders with standard strokes will be supplied with dimension G as shown in the table below. For all cylinders with non-CNOMO standard strokes, the dimension G must be indicated, taking into account the maximum and minimum dimensions defined above.

Dimension G to CNOMO recommendations:

| Ø | stroke | | | | | | | | | | | | | |
|-----------|--------|-----|-----|-----|-----|-----|-----|-----|-----|-----|-----|-----|------|--|
| | 50 | 100 | 150 | 200 | 250 | 300 | 400 | 500 | 600 | 700 | 800 | 900 | 1000 | |
| 25 - 32 | 54 | 75 | 96 | 117 | 137 | - | - | - | - | - | - | - | - | |
| 40 - 50 | 67 | 87 | 108 | 129 | 150 | 171 | 212 | - | - | - | - | - | - | |
| 63 - 80 | - | 94 | 115 | 135 | 156 | 177 | 219 | 260 | 302 | - | - | - | - | |
| 100 - 125 | - | 102 | 123 | 144 | 165 | 185 | 227 | 269 | 310 | 352 | 394 | 434 | 477 | |
| 160 - 200 | - | - | 137 | 158 | 179 | 200 | 242 | 283 | 325 | 366 | 408 | 450 | 492 | |